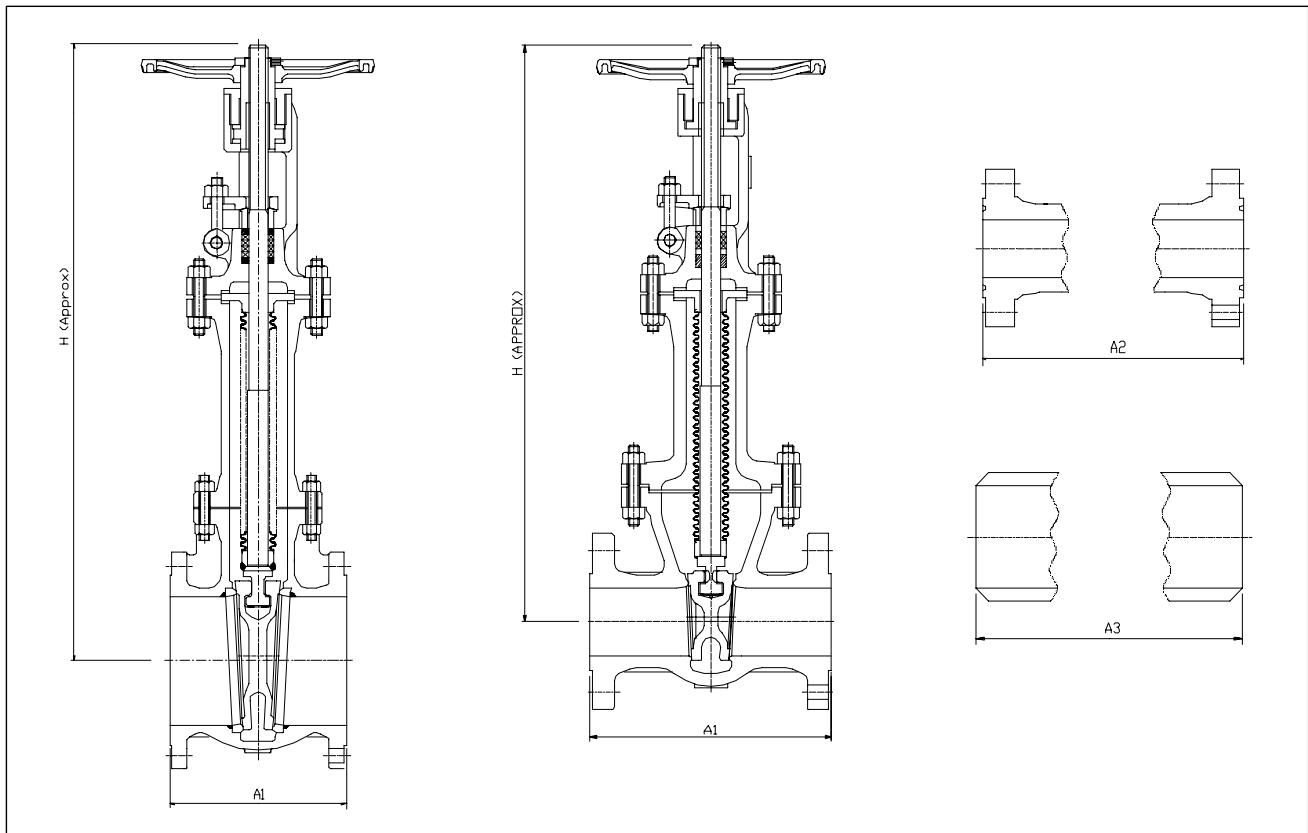


BELLOWS SEAL GATE VALVES



NO.	NAME OF PART	ASTM MATERIAL		
		WCB	CF8	CF8M
1	BODY	A216-WCB	A351-CF8	A351-CF8M
2	BONNET	A216-WCB	A351-CF8	
3	DISC	A216-WCB	A351-CF8	A351-CF8M
4	STEM	A276-410	A276-304	A276-316
5	HAND WHEEL	A536		
6	GASKET 1	H1215		
7	GASKET 2	H1215	V#7020	
8	GASKET3	H1215	V#7020	
9	GLAND FLANGE	A216-WCB	A351-CF8	
10	GLAND	A276-410	A351-CF8M	
11	GLAND PACKING	GRAPHITE	PTFE+CTFE	
12	EYE BOLT PIN	A276-410	A276-304	
13	STEM NUT	A439-D2		
14	RETAINER NUT	A36	A351-CF8	
15	WHEEL NUT	A36	A351-CF8	
16	UPPER FLANGE	A216-WCB	A351-CF8	A351-CF8M
17	LOW FLANGE	A216-WCB	A351-CF8	A351-CF8M
18	PIPE	SUS410	SUS304	SUS316
19	BELLOWS 1	SUS304	SUS316L	
20	BELLOWS 2	SUS304	SUS316L	
21	BELLOWS RING	A276-304	A276-316L	
22	CONNECTION RING	A276-304	A276-316L	
23	BELLOWS FLANGE	A76-304	A276-316L	
24	EYE BOLT	A193-B7	A193-B8	
25	EYE BOLT NUT	A194-2H	A194-B	
26	BOLT	A193--B7	A193-B8	
27	NUT	A194-2H	A194-8	
28	BONNET BOLT	A193-B7	A193-B8	
29	BONNET BOLT NUT	A194-2H	A194-8	
30	NAME PLATE	A666-304		

MAIN DIMENSIONS & WEIGHT (CLASS 150)

VALVE SIZE	in	2	2.5	3	4	6	8	10	12	14	16	18	20	
	mm	50	65	80	100	150	200	250	300	350	400	450	500	
A1	in	7.0	7.5	8.0	9.0	10.5	11.5	13.0	14.0	15.0	16.0	17.0	18.0	
	mm	178	190	203	229	267	292	330	356	381	406	432	457	
A3	in	8.5	9.5	11.1	12.0	15.90	16.5	18.0	19.75	22.5	24.0	26.0	28.0	
	mm	216	241	282	305	403	419	457	502	572	610	660	711	
H	in	23.4	28.4	30.7	35.4	45.5	53.1	66	75.6	86.6	102.4	120.1	134.6	
	mm	595	722	780	900	1155	1350	1676	1920	2200	2600	3050	3420	
W	in	7.9	7.9	7.9	9.8	11.8	14.0	15.7	17.7	15.7	19.7	19.7	24.8	
	mm	200	200	200	250	300	355	400	450	400	500	500	630	
L	in									13.0	13.5	13.5	15.3	
	mm									330	342	342	389	
WEIGHT	RF	lb	93	137	154	190	251	348	478	650	948	1334	1775	2094
		kg	42	62	70	86	114	158	217	295	430	605	805	950
	BW	lb	90	130	150	183	232	313	432	604	882	1268	1585	1850
		kg	41	59	68	83	105	142	196	274	400	575	719	839

MAIN DIMENSIONS & WEIGHT (CLASS 300)

VALVE SIZE	in	2	2.5	3	4	6	8	10	12	14	16	18	20	
	mm	50	65	80	100	150	200	250	300	350	400	450	500	
A1 & A3	in	8.5	9.5	11.1	12.0	15.9	16.5	18.0	19.8	30.0	33.0	36.0	39.0	
	mm	216	241	282	305	403	419	457	502	762	838	914	991	
A2	in	9.1	10.1	11.7	12.6	16.50	17.1	18.6	20.40	30.6	33.6	36.6	39.8	
	mm	232	257	298	321	419	435	473	518	778	854	930	1010	
H	in	24.5	29.8	31.4	36.2	46.5	56.4	66.1	79.2	95.5	108.1	122.2	136.6	
	mm	623	756	798	920	1182	1432	1679	2011	2425	2746	3103	3470	
W	in	7.9	7.9	8.9	9.8	14.0	15.7	17.7	19.7	19.7	19.7	24.8	24.8	
	mm	200	200	225	250	355	400	450	500	500	500	630	630	
L	in									13.5	13.5	15.3	15.3	
	mm									342	342	389	389	
WEIGHT	RF	lb	106	165	181	234	366	523	725	1138	1731	2549	3270	3761
		kg	48	75	82	106	166	237	329	516	785	1156	1483	1706
	BW	lb	101	152	157	192	304	441	602	935	1347	2064	2762	3228
		kg	46	69	71	87	138	200	273	424	611	936	1253	1464